

tyco

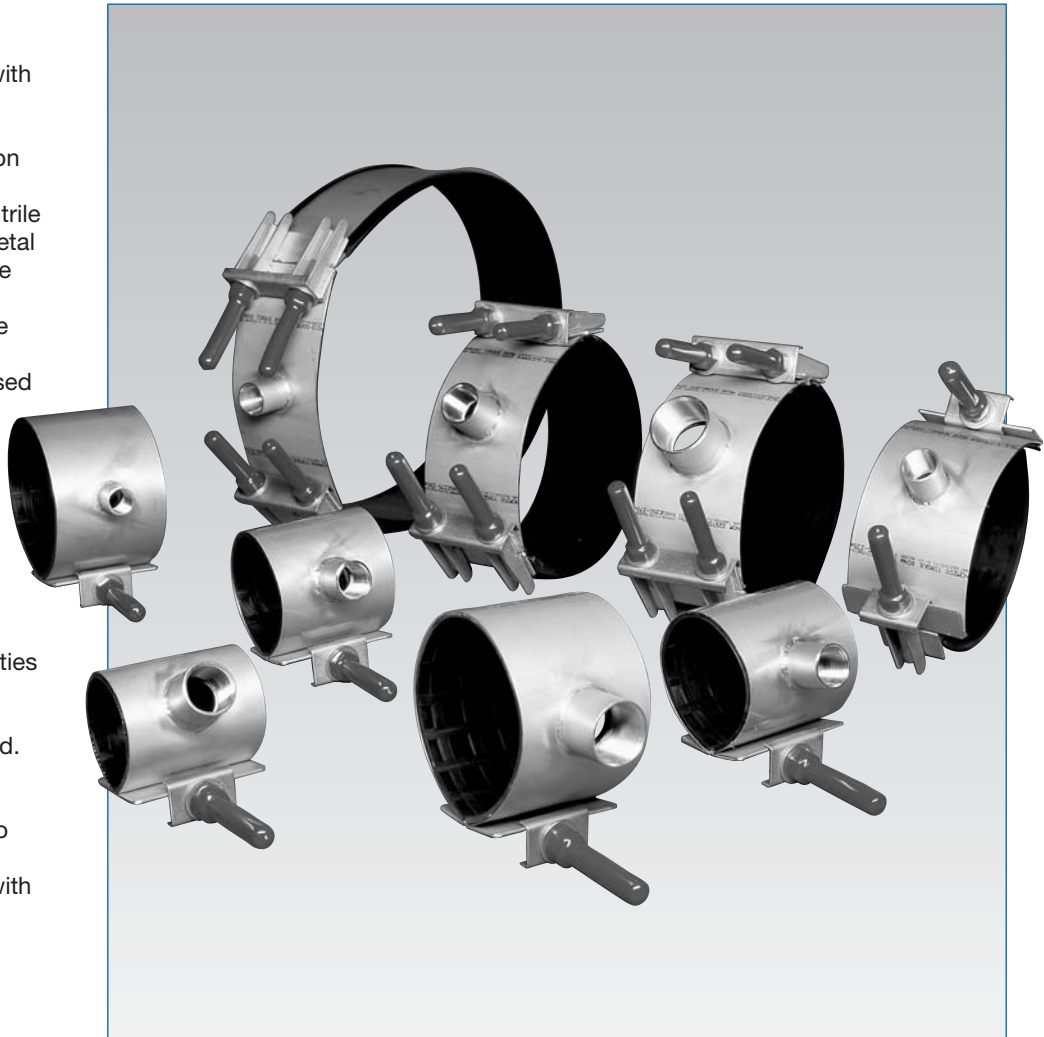
Flow Control

Tyco Water

Stainless Steel tapping saddle clamps for fast and permanent tapping into most pipe types and sizes.

Features

- Manufactured in accordance with Watermark standards.
- Fully constructed from 316 stainless steel for high corrosion protection.
- The saddle skin is lined with nitrile rubber, eliminating metal-to-metal contact, and insulating the pipe against galvanic corrosion.
- Each clamp fits a range of pipe diameters.
- Can be installed on a pressurised main.
- Fully passivated welds.
- Supplied with plastic thread protectors.
- All rough surfaces finished to avoid harm to the installer.
- Dispatched with installation instructions and a lubrication sachet.
- Able to adapt to pipe irregularities and ovality.
- Saddle body provides pipe support after the pipe is tapped.
- Large surface area contact on pipe.
- Molybond® coated fasteners to prevent galling.
- Manufactured in accordance with ISO 9001 quality standards.



General Applications

The wang stainless steel tapping saddle is a quick and permanent way to tap into most pipe types and sizes up to DN450. They are ideal for main stop installations, air valve installations, and many other service connections. The saddle design can accommodate a range of different pipe diameters. The combination of quality materials and superior design allows this product to be utilised in a variety of applications.

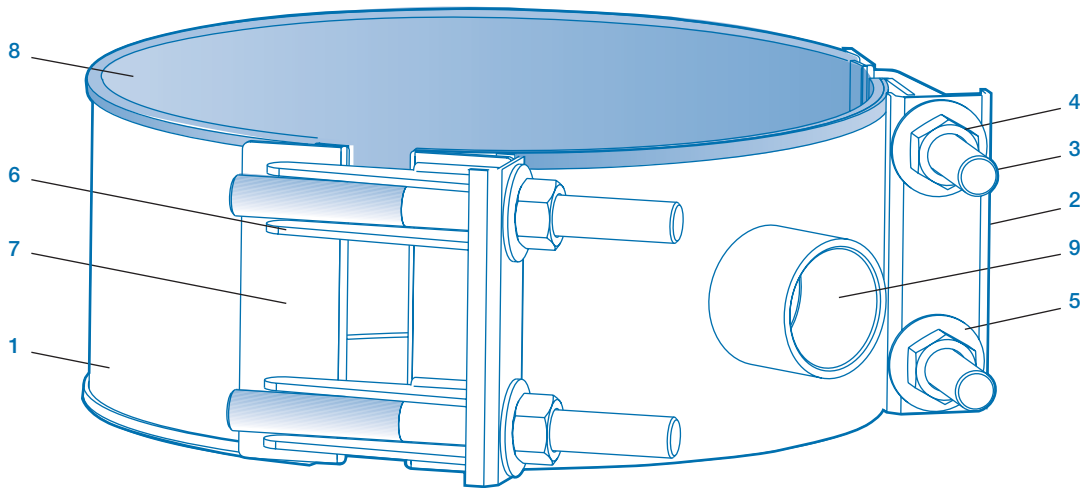
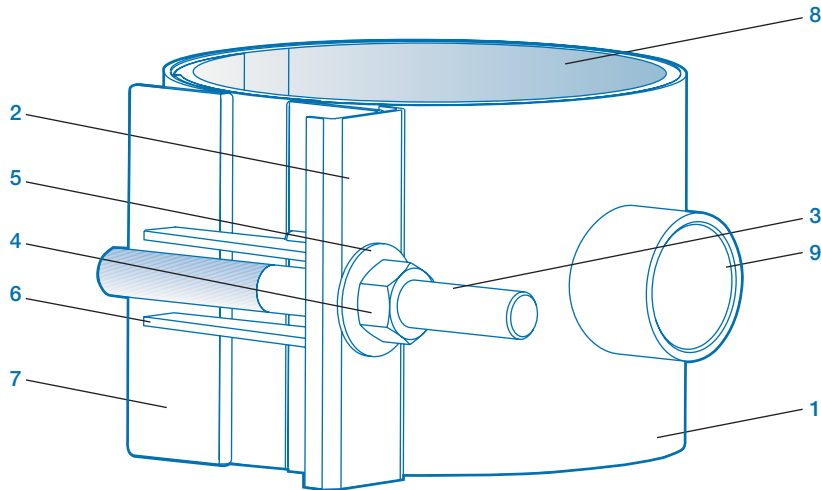
Technical Data

Size Range: DN 40 - DN 450
Offtake Sizes: DN 20 - DN 50
(Depending on host pipe size)
Operating Pressure: 1600 kPa
(Test = 2000 kPa)
Max Temperature: 60°C
Relevant Standards:
Watermark MP52 Spec 025 Lic W278

Note: Wang Tapping Saddles do not provide axial pipe restraint.

Wang - Stainless Steel Tapping Saddles

DN40 - DN 450



Parts List

No.	Description	Material	Standards
1	Skin	316 Stainless Steel	ASTM A240M
2	Locking Plate	316 Stainless Steel	ASTM A240M
3	Studs	316 Stainless Steel - Molybond coated	ASTM A276
4	Nuts	316 Stainless Steel - Molybond coated	ISO 4032, AS 1112.1
5	Washer	316 Stainless Steel	ISO 887
6	Lugs	316 Stainless Steel	ASTM A240M
7	Flat Bars	316 Stainless Steel	ASTM A240M
8	Sealing Gasket	Full-circle Nitrile (NBR) compound	AS 1646 and AS/NZS 4020
9	BSP Offtake	316 Stainless Steel	ASTM A312M, ISO 4144 or ANSI B16.3, AS 1722.1

Tapping Saddle Selection

Nom Size	DACL		STEEL		UPVC		
	AS/NZS 2281	MSCL AS 1579	GWJ AS 1074	SERIES-1 AS/NZS 1477	SERIES-2 AS/NZS 1477	SERIES-1 AS 3518	
40			KT1-047T--- 48mm	KT1-047T--- 48mm			KT1-047T--- 48mm
50			KT1-059T--- 60mm	KT1-059T--- 60mm			KT1-059T--- 60mm
65			KT1-075T--- 76mm	KT1-075T--- 75mm			KT1-075T--- 75mm
80	KT1-088T--- 96mm		KT1-088T--- 89mm	KT1-088T--- 89mm	KT1-088T--- 96mm		KT1-088T--- 89mm
100	KT1-114T--- 122mm	KT1-114T--- 114mm	KT1-114T--- 114mm	KT1-114T--- 114mm	KT1-114T--- 122mm		KT1-114T--- 114mm
125		KT1-140T--- 140mm	KT1-140T--- 140mm	KT1-140T--- 140mm			KT1-140T--- 140mm
150	KT1-168T--- 177mm	KT1-168T--- 168mm	KT1-168T--- 168mm	KT1-152T--- 160mm	KT1-168T--- 177mm		KT1-168T--- 168mm
175				KT2-200T--- KT4-200T--- 200mm			
200	KT2-215T--- KT4-215T--- 232mm	KT2-215T--- KT4-215T--- 219mm		KT2-215T--- KT4-215T--- 225mm	KT2-215T--- KT4-215T--- 232mm		KT2-215T--- KT4-215T--- 225mm
225	KT2-250T--- KT4-250T--- 259mm			KT2-250T--- KT4-250T--- 250mm	KT2-250T--- KT4-250T--- 259mm		KT2-250T--- KT4-250T--- 250mm
250	KT4-270T--- 286mm	KT4-270T--- 273mm		KT4-270T--- 280mm	KT4-270T--- 286mm		
300	KT4-330T--- 345mm	KT4-315T--- 324mm		KT4-315T--- 315mm	KT4-330T--- 345mm		KT4-315T--- 315mm
350		KT4-355T--- 355mm		KT4-355T--- 355mm			KT4-355T--- 355mm
375	KT4-410T--- 426mm	KT4-390T--- 406mm		KT4-390T--- 400mm	KT4-410T--- 426mm		KT4-390T--- 400mm
400		KT4-440T--- 457mm		KT4-440T--- 450mm			KT4-440T--- 450mm
450	KT4-490T--- 507mm	KT4-490T--- 508mm		KT4-490T--- 500mm	KT4-490T--- 507mm		KT4-490T--- 500mm

Note:

On pipes with low stiffness factors, WANG Components recommends the use of a longer clamp alternative such as the WANG Tapped Offtake Clamp.

Top Number = Tapping Saddle (Start of OD range)

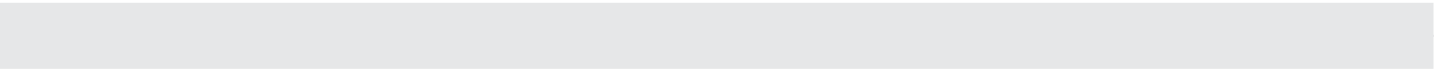
Bottom Number = Pipe OD

Wang - Stainless Steel Tapping Saddles

DN40 - DN 450

Pressure Pipe

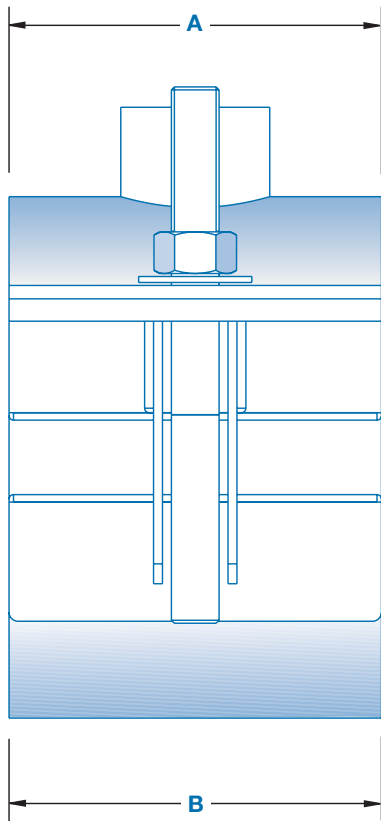
S	HOBAS	CICL		ASBESTOS		RC
SERIES-2		B	C	AB	CD	
AS 3518	AS 3571	AS 1724	AS 2544	AS 1711	AS 1711	AS 4058



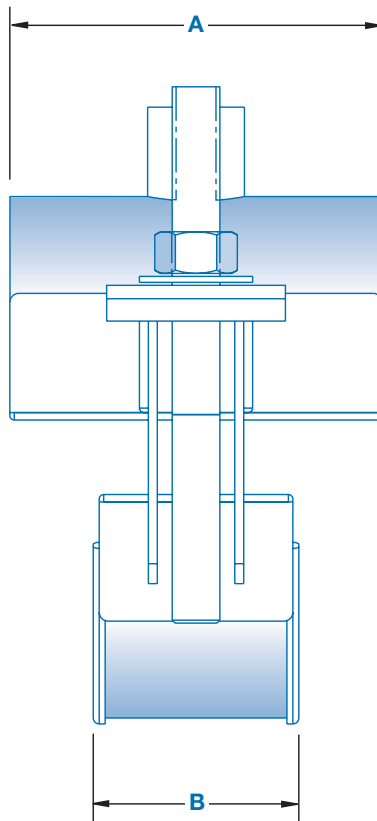
			KT1-088T---	KT1-088T---	KT1-088T---	
			96mm	96mm	96mm	
KT1-114T---	KT1-114T---	KT1-114T---	KT1-114T---	KT1-114T---	KT1-114T---	
122mm	122mm	122mm	122mm	122mm	122mm	
			KT1-140T---			
			149mm			
KT1-168T---	KT1-168T---	KT1-168T---	KT1-168T---	KT1-168T---	KT1-168T---	KT1-190T---
177mm	177mm	177mm	177mm	177mm	177mm	197mm
			KT2-200T---			
			KT4-200T---			
			203mm			
KT2-215T---	KT2-215T---	KT2-215T---	KT2-215T---	KT2-215T---	KT2-215T---	
KT4-215T---	KT4-215T---	KT4-215T---	KT4-215T---	KT4-215T---	KT4-215T---	
232mm	232mm	232mm	232mm	232mm	232mm	
KT2-250T---	KT2-250T---	KT2-250T---	KT2-250T---	KT2-250T---	KT2-250T---	KT4-270T---
KT4-250T---	KT4-250T---	KT4-250T---	KT4-250T---	KT4-250T---	KT4-250T---	
259mm	259mm	259mm	259mm	259mm	259mm	279mm
KT4-270T---	KT4-270T---	KT4-270T---	KT4-270T---	KT4-270T---	KT4-270T---	
286mm	286mm	286mm	286mm	286mm	286mm	
KT4-330T---	KT4-330T---	KT4-330T---	KT4-330T---	KT4-330T---	KT4-330T---	KT4-355T---
345mm	345mm	334mm	345mm	334mm	345mm	362mm
	KT4-390T---					
	399mm					
KT4-410T---	KT4-410T---	KT4-410T---	KT4-410T---	KT4-410T---	KT4-410T---	KT4-440T---
426mm	426mm	413mm	426mm	413mm	426mm	445mm
	KT4-440---					
	453mm					
KT4-490T---	KT4-490T---	KT4-490T---	KT4-490T---	KT4-490T---	KT4-490T---	
507mm	507mm	492mm	507mm	492mm	507mm	

Wang - Stainless Steel Tapping Saddles

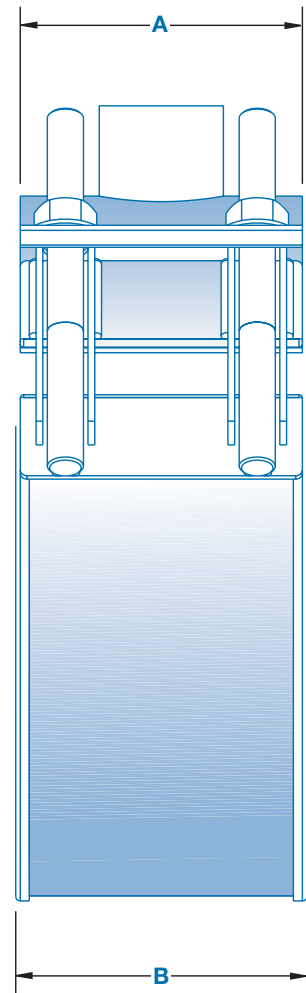
DN40 - DN 450



KT1



KT2



KT4

Standard Clamp Data

Nominal Size	Offtake Size	Code Prefix	Stud Size	No. Of Parts	No Of Bolts	Min Length (Dim A)	Min Length (Dim B)	OD Range
40-65	20,25	KT1	M16	1	1	125	125	5mm
80-150	20,25,32,40,50	KT1	M16	1	1	125	125	10mm
175-225	20,25	KT2	M16	2	2	125	65	20mm
200-450	20,25,32,40,50	KT4	M16	2	4	125	125	20mm

Typical Specifying Sequence

Example	K T	1	-	1 6 8	T	0 2 0
K T = Wang Tapping Saddle						
Number of Fasteners						
ie: 1 = 1 Studs						
2 = 2 Studs						
4 = 4 Studs						
Delineator						
Start of OD Range						
ie: 168mm -178mm						
Offtake Type						
T = Tapped BSP Socket						
Nominal Offtake Size						
DN 20 = 020						
DN 25 = 025						
DN 32 = 032						
DN 40 = 040						
DN 50 = 050						

Example:

You require a tapping saddle to tap into a DN 150 Series-2 PVC pipe.

1. Determine the most suitable tapping saddle:

Using the Tapping Saddle Selection Chart, find the code at the intersection of DN 150 and the column UPVC-2.

= **KT1-168T- - -**

2. Find BSPF offtake size required:

Refer to the Standard Clamp Data Table to find the range of offtake sizes that are available with that nominal pipe size. Then select the preferred offtake size.

i.e. = DN 50

Therefore the tapping saddle ordering code would be: = **KT1-168T050**