

tyco

Flow Control

Tyco Water

Flanged fittings are manufactured to AS/NZS 2280. Flange dimensions comply with AS 4087.

Features

- Ductile Iron fittings for high strength and impact resistance
- Suitable for 'in ground' or 'above ground' applications
- Fittings can be encapsulated with a thermal bonded polymeric coating or cement lined and bitumen coated to suit local utility specifications.
- Self anchoring joints. No need for external anchorages.
- Integrally cast flanges on fittings.
- All flange dimensions comply with AS4087.
- Alternate flange dimensions available on request.



General Application

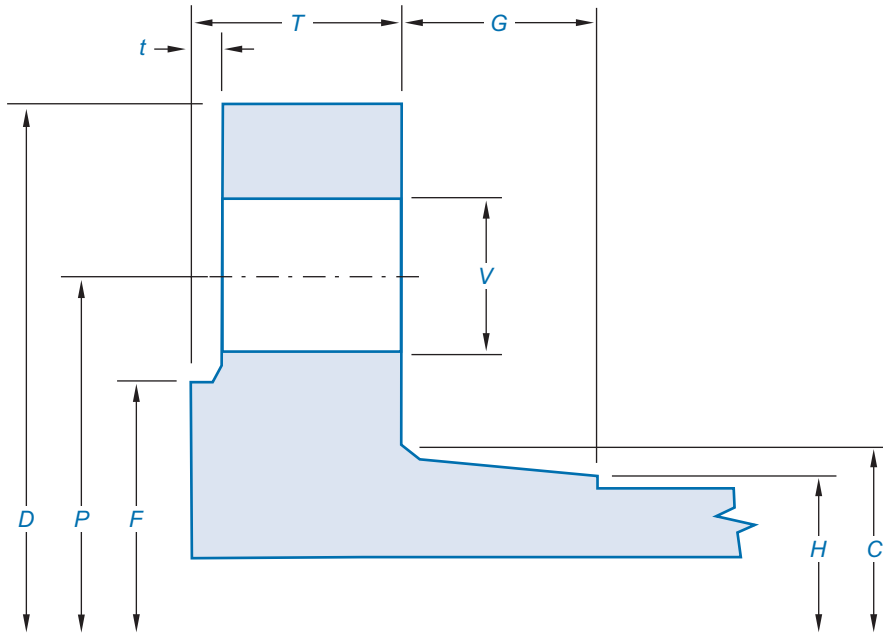
Flanged Fittings provide restrained non flexible joints in pipelines or within pipework arrangements and are commonly used in above ground applications such as pump stations and treatment plants.

Technical Data

Size Range: DN80 - DN750
Allowable Operating Pressure: 1600 or 3500 kPa
Standards: AS/NZS 2280 - Ductile iron pressure pipes and fittings
Certification: ProductMark Licence PRD/R61/0412/1
Certified to AS 4020 - Suitable for contact with drinking water.

Flanged Fittings

DN100 - DN750



Class 16 Integral Flange Dimensions

Nominal Size DN	Flange Dimensions		Bolting Details			Neck Dimensions			Thickness		
	D	F	P	Number of Holes	V	Fastener Size	C	H	G	T	t
80	185	18	146	4	18	M16	106	100	8	18	3
100	215	20	178	4	18	M16	136	120	11	20	3
150	280	23	235	8	18	M16	188	181	11	23	3
200	335	23	292	8	18	M16	243	236	12	23	3
225	370	24	324	8	18	M16	275	263	19	24	3
250	405	24	356	8	22	M20	307	290	26	24	3
300	455	30	406	12	22	M20	354	349	28	30	4
375	550	33	495	12	26	M24	439	430	30	33	4
450	640	33	584	12	26	M24	528	511	33	33	4
500	705	35	641	16	26	M24	581	564	34	35	4
600	825	42	756	16	30	M27	689	671	38	42	5
750	995	47	927	20	33	M30	855	830	53	47	5

Class 35 Integral Flange Dimensions

Nominal Size DN	Flange Dimensions		Bolting Details			Neck Dimensions			Thickness		
	D	F	P	Number of Holes	V	Fastener Size	C	H	G	T	t
80	205	141	165	8	18	M16	110	100	11	22	3
100	230	167	191	8	18	M16	137	126	13	22	3
150	305	232	260	12	22	M20	198	181	20	27	3
200	370	296	324	12	22	M20	257	236	27	31	3
225	405	324	356	12	26	M24	290	263	33	34	3
250	430	349	381	12	26	M24	315	290	33	34	3
300	490	406	438	16	26	M24	376	349	38	38	4
375	580	485	521	16	30	M27	459	430	42	42	4
450	675	571	610	20	33	M30	542	511	48	46	4
500	735	634	673	24	33	M30	602	564	60	49	4
600	850	739	781	24	36	M33	710	671	66	54	5
750	1015	898	940	28	36	M33	870	830	73	59	5

Flanged Fittings

DN100 - DN750

Typical Specifying Sequence

Specifying a high pressure DN150 fusion coated flanged tee with a DN100 branch.

Example	150x150-100	-	FL-FLxFL	TEE	HP FC
Nominal Size					
Angle (if applicable)					
End Type(s)	FL - Flange SC - Socket SP - Spigot				
Type of Fitting	TEE BEND TAPER CONN				
Extra Information	TC - Figure B5 Flange HP - Figure B6 Flange CL - Cement Lined FC - Fusion Coated				

Specifying a 22.5 degree standard pressure DN100 cement lined, bitumen coated bend.

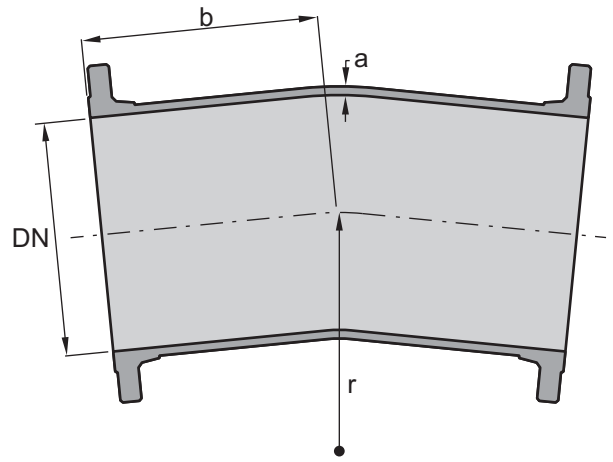
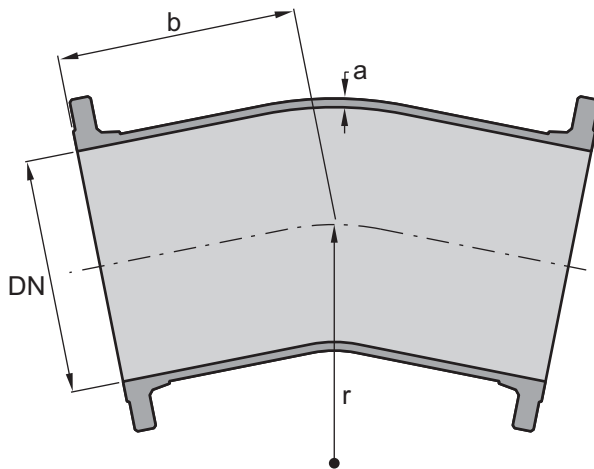
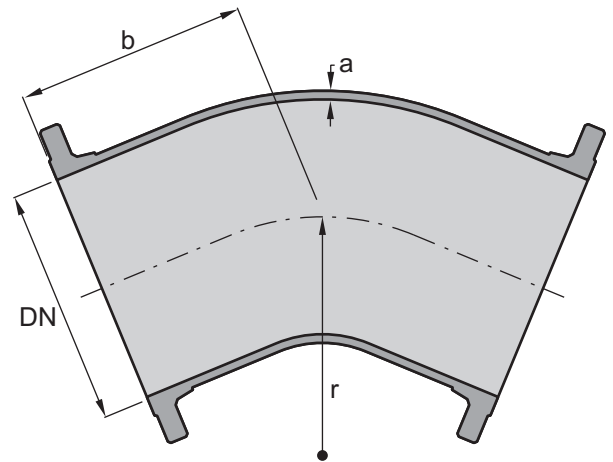
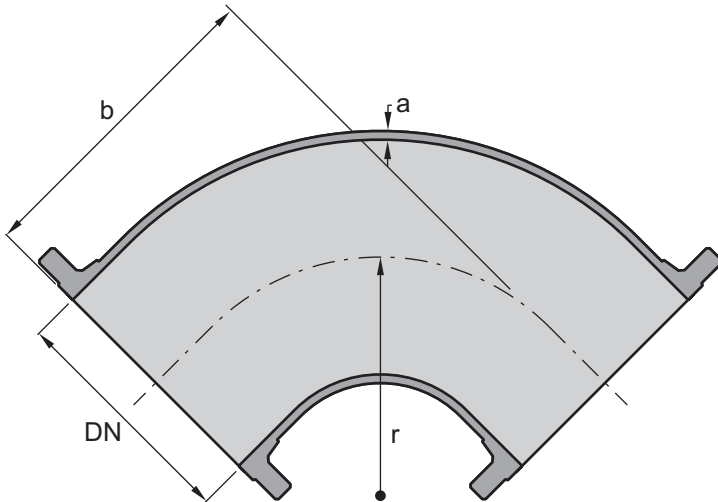
Example	100	22½	FL-FL	BEND	TC CL
Nominal Size					
Angle (if applicable)					
End Type(s)	FL - Flange SC - Socket SP - Spigot				
Type of Fitting	TEE BEND TAPER CONN				
Extra Information	TC - Figure B5 Flange HP - Figure B6 Flange CL - Cement Lined FC - Fusion Coated				



Flow Control

Tyco Water

Flanged bends are manufactured to AS/NZS 2280.
Flange dimensions comply with AS 4087.



Dimensions - Bends (FL-FL)

Nominal Size DN	a	r	Dimension b			
			90°	45°	22½°	11¼°
80	8	140	229	140	140	125
100	8	152	*241	152	152	152
150	9	190	279	190	190	190
200	10	203	305	203	203	203
225	10	229	330	229	229	229
250	10	254	356	254	254	254
300	11	305	406	305	305	305
375	12	381	495	381	381	381
450	13	457	572	457	457	457
500	14	508	622	508	508	508
600	15	610	737	610	610	610
750	18	765	905	460	295	230

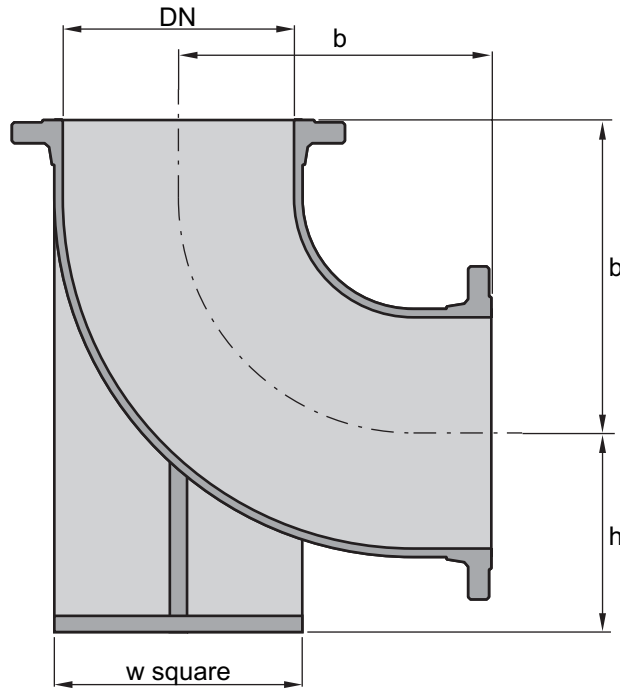
*Note - Superseded by AUSLITE range for PN16.



Flow Control

Tyco Water

Flanged bends are manufactured to AS/NZS 2280.
Flange dimensions comply with AS 4087.



Dimensions - Duckfoot bends (FL-FL)

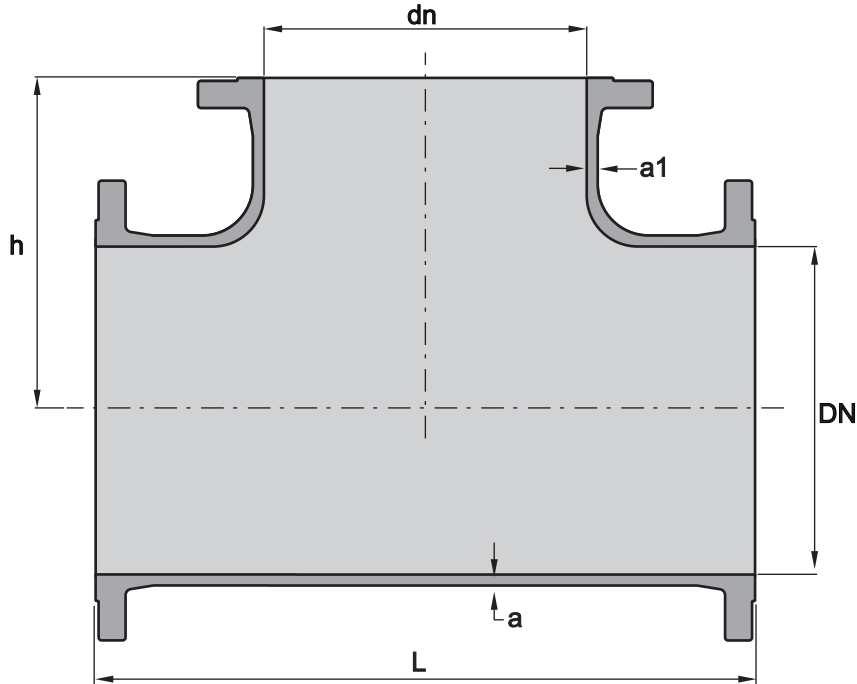
Nominal Size DN	Dimensions		
	b	w	h
80	229	165	114
100	241	185	133
150	279	190	165
200	305	235	197
225	330	260	216
250	356	290	229
300	406	345	260
375	495	425	311
450	572	500	356
500	622	560	394
600	737	665	457



Flow Control

Tyco Water

Flanged tees are manufactured to AS/NZS 2280.
Flange dimensions comply with AS 4087.



Dimensions - Tees (FL-FLxFL)

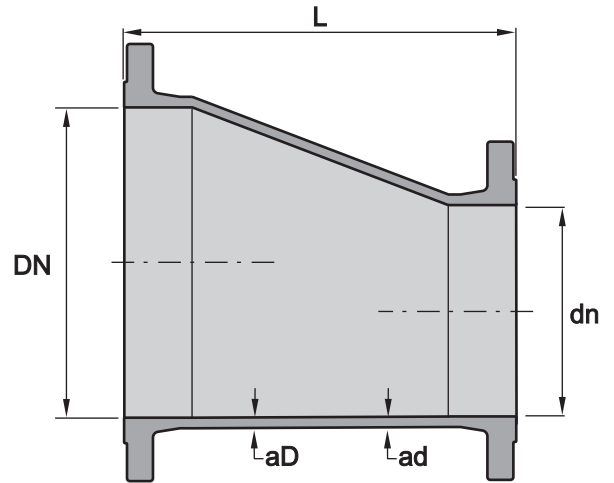
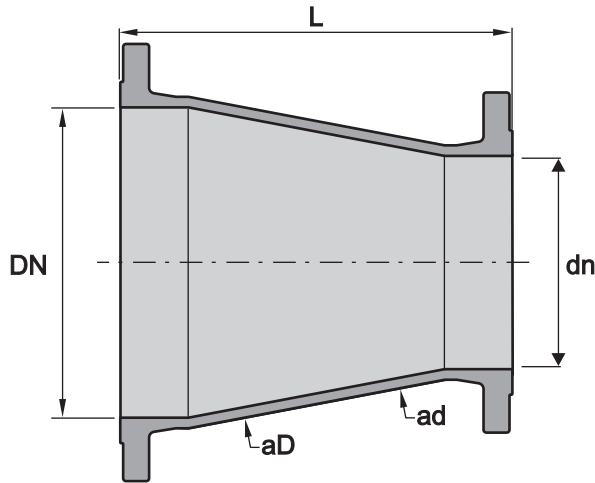
Nominal Size		Dimensions				Nominal Size		Dimensions			
Body DN	Branch dn	a	a1	h	L	Body DN	Branch dn	a	a1	h	L
100	100	8	8	178	356	375	250	12	10	356	738
150	100	9	8	203	406	375	300	12	11	356	738
150	150	9	9	203	406	375	375	12	12	368	738
200	100	10	8	241	484	450	250	13	10	394	814
200	150	10	9	241	484	450	300	13	11	394	814
200	200	10	10	241	484	450	375	13	12	406	814
225	100	10	8	254	508	450	450	13	13	406	814
225	150	10	9	254	508	500	250	14	10	432	890
225	200	10	10	254	508	500	300	14	11	432	890
225	225	10	10	254	508	500	375	14	12	444	890
250	100	10	8	267	534	500	450	14	13	444	890
250	150	10	9	267	534	500	500	14	14	444	890
250	200	10	10	267	534	600	300	15	11	483	1016
250	225	10	10	267	534	600	375	15	12	495	1016
250	250	10	10	267	534	600	450	15	13	495	1016
300	100	11	8	305	610	600	500	15	14	495	1016
300	150	11	9	305	610	600	600	15	15	508	1016
300	200	11	10	305	610	750	300	18	11	615	890
300	225	11	10	305	610	750	375	18	12	645	1000
300	250	11	10	305	610	750	450	18	13	655	1080
300	300	11	11	305	610	750	500	18	14	680	1160
375	200	12	10	356	738	750	600	18	15	695	1260
375	225	12	10	356	738	750	750	18	18	725	1450



Flow Control

Tyco Water

Flanged tapers are manufactured to AS/NZS 2280.
Flange dimensions comply with AS 4087.



Dimensions - Tapers (FL-FL)

Nominal Size		Dimensions		
Large DN	Small dn	aD	ad	L
100	80	8	8	165
150	80	9	8	298
150	100	9	8	235
200	100	10	8	368
200	150	10	9	248
225	100	10	8	432
225	150	10	9	311
225	200	10	10	190
250	100	10	8	495
250	150	10	9	375
250	200	10	10	254
250	225	10	10	190
300	100	11	8	629
300	150	11	9	508
300	200	11	10	387
300	225	11	10	324
300	250	11	10	260
375	200	12	10	584

Nominal Size		Dimensions		
Body DN	Branch dn	aD	ad	L
375	225	12	10	521
375	250	12	10	457
375	300	12	11	337
450	250	13	10	660
450	300	13	11	540
450	375	13	12	356
500	250	14	10	787
500	300	14	11	667
500	375	14	12	483
500	450	14	13	305
600	300	15	11	934
600	375	15	12	749
600	450	15	13	572
600	500	15	14	444
750	375	18	12	1180
750	450	18	13	1000
750	500	18	14	885
750	600	18	15	645

Flanged Bellmouths

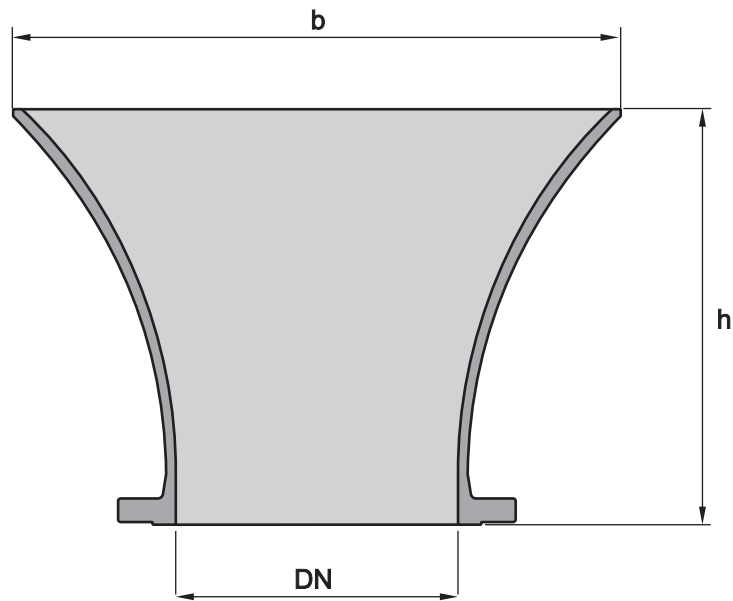
DN100 - DN750

tyco

Flow Control

Tyco Water

Flanged bellmouths are manufactured to AS/NZS 2280 requirements. Flange dimensions comply with AS 4087.



Dimensions - Bellmouths

Nominal Size DN	Dimensions	
	b	h
100	200	152
150	245	152
200	374	305
225	425	305
250	445	380
300	650	470
375	755	525
450	765	590
500	770	650
600	840	725
750	1250	845