

**tyco**

*Flow Control*

**Tyco Water**

### Features

- Ductile Iron fittings for high strength and impact resistance.
- Encapsulated with a thermally bonded polymeric coating for long life operation.
- Lightweight - reduces manual handling injury risks.
- Compact dimensions provide benefits in packaging, storage and transport.
- Environmentally friendly - less energy during manufacture means reduced green house gas emissions.
- Incorporates the proven TYTON JOINT® with extended socket depth.
- Compatible with Series 1, Series 2 pipes.



The next generation of Ductile Iron fittings are lightweight, compact.



### General Application

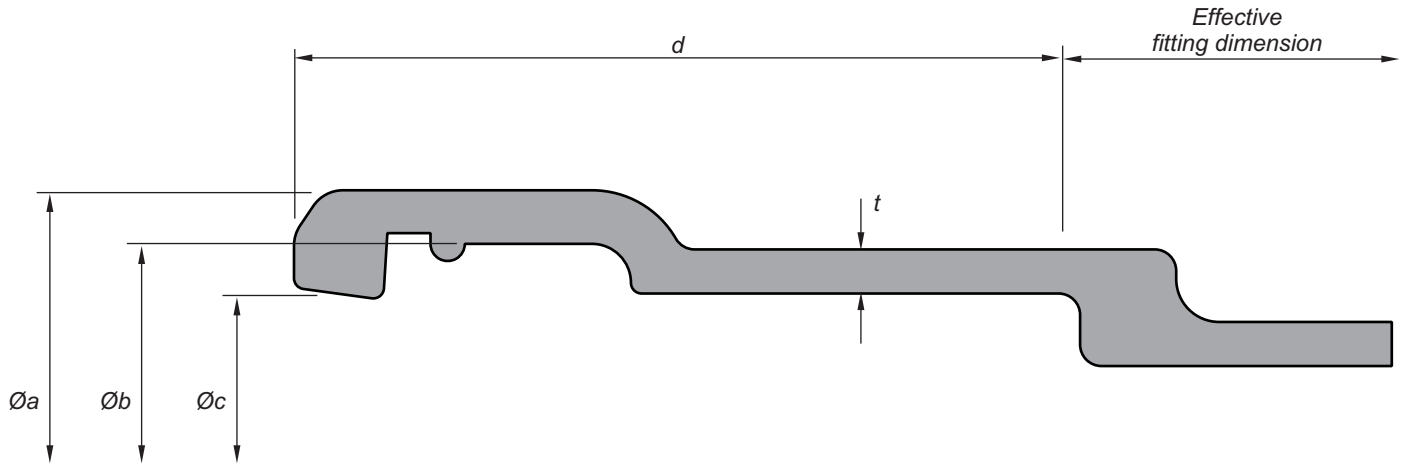
AUSLITE® ductile iron fittings are ideally suited for use with Ductile Iron, PVC-U, PVC-M and PVC-O pipes.

### Technical Data

**Size Range:** DN100 - DN150  
**Allowable Operating Pressure:** 1600 kPa  
**Maximum Deflection:** 3.5°  
**Standards:**  
AS/NZS 2280 - Ductile iron pressure pipes and fittings  
AS/NZS 4158 - Thermal-bonded polymeric coatings on valves and fittings  
**Certification:**  
ISC ProductMark License No. PRD/R61/0412/1  
AS 4020 - Suitable for contact with drinking water.

# AUSLITE® Pipeline Fittings

DN100 - DN150



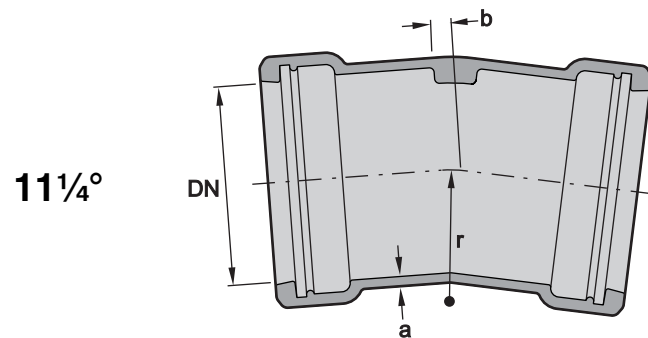
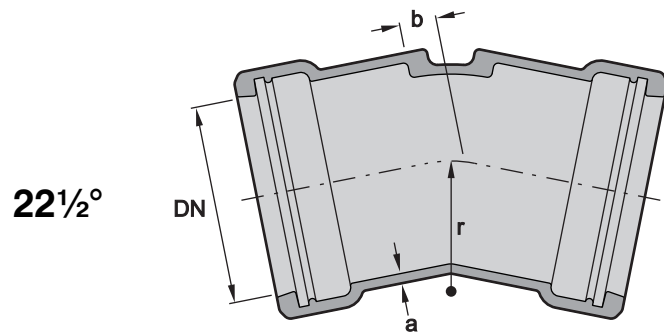
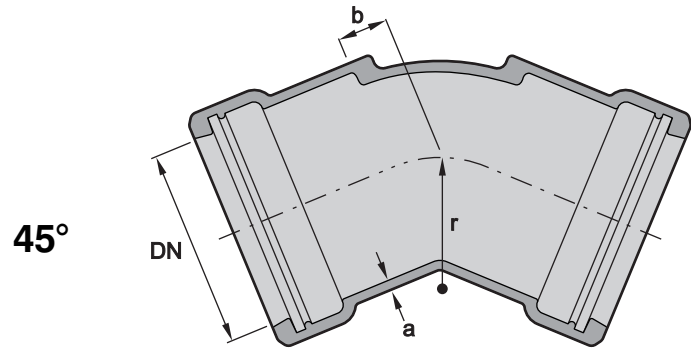
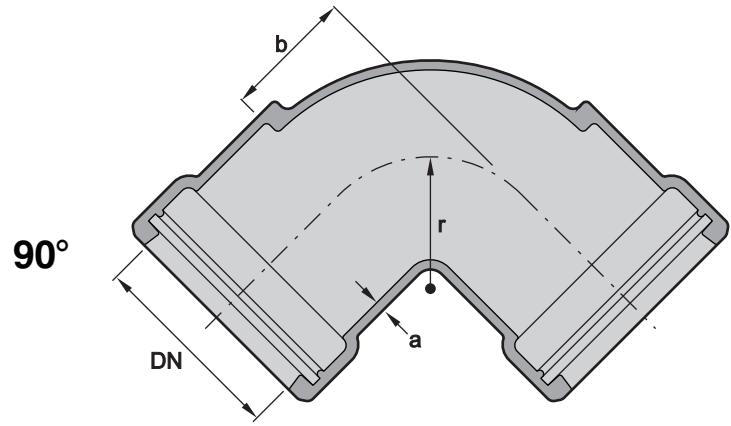
## Socket Dimensions

Nominal Size DN	$\text{Ø}a$	$\text{Ø}b$	$\text{Ø}c$	$d$	$t$ nom	$t$ min
100	155	143.2	124.7	110	6	5
150	211	198.6	180.1	120	6	5

**tyco**

Flow Control

**Tyco Water**



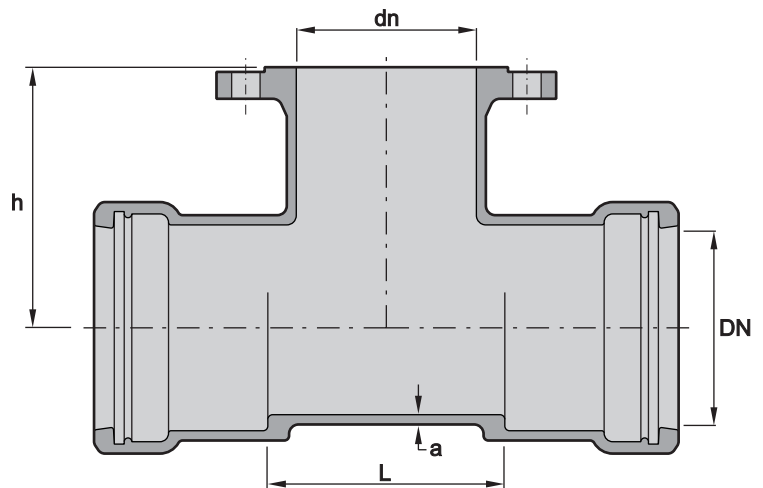
**Dimensions - Bends (SC-SC)**

Nominal Size DN	a (min)	r	Dimension b				Mass (kg)			
			90°	45°	22½°	11¼°	90°	45°	22½°	11¼°
100	5	75	90	45	25	20	7.0	6.2	6.0	5.6
150	5	120	130	60	35	20	12.6	10.4	9.4	9.0

**tyco**

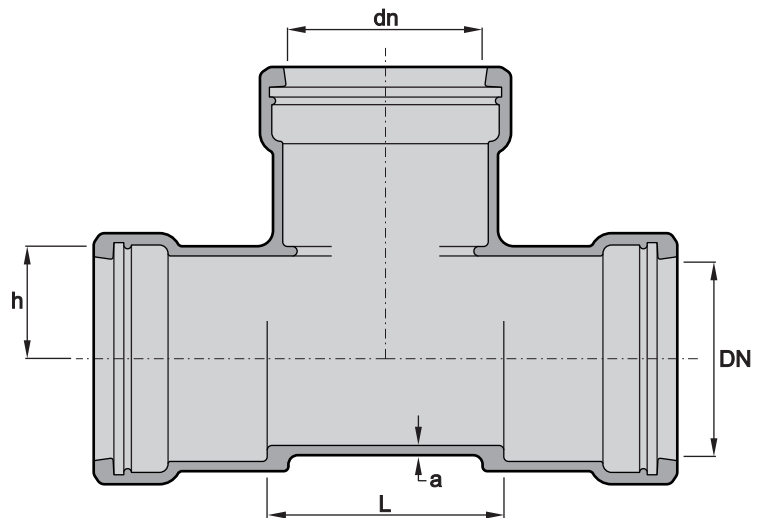
Flow Control

**Tyco Water**



Dimensions - Tee (SC-SCxFL)

Nominal Size		Dimensions			Mass (kg)
Body DN	Branch dn	a (min)	h	L	
100	80	5	155	150	11.0
100	100	5	165	150	12.7
150	80	5	185	150	15.5
150	100	5	190	150	16.1
150	150	5	210	150	19.1



Dimensions - Tee (SC-SCxSC)

Nominal Size		Dimensions			Mass(kg)
Body DN	Branch dn	a (min)	h	L	
100	100	5	75	150	11.1
150	100	5	100	150	14.5
150	150	5	100	150	16.6