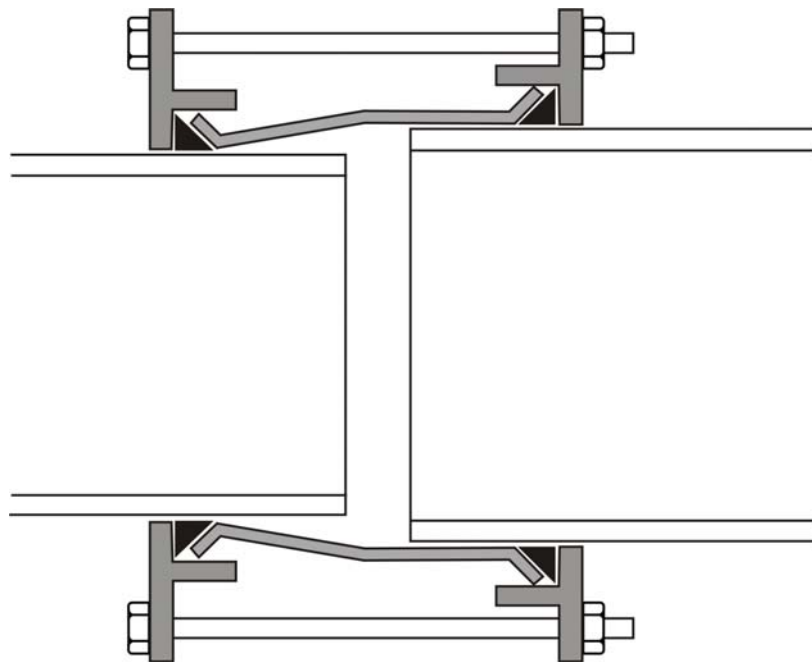


Anchoring Stepped Mechanical Couplings

Stepped mechanical couplings, as shown in the sketch below, are often utilised for joining pipes where the diameters are significantly different.

Longitudinal forces imposed on the coupling, when it is pressurised, can result in the coupling "walking" or moving along the pipe causing the joint to fail. The chance of this occurring increases as the operating pressures increase.

A solution is to drive two star picket stakes either side of the pipe against the shoulder of the coupling to resist the longitudinal forces. This procedure usually provides sufficient restraint until the backfill material consolidates and compacts.



Updated: 1st September 2006

Issue Number: 02