

tyco
Water

6° Socketed Bend Ductile Iron Pipeline Systems

6 Degree Bend features
TYTON sockets for rubber
ring jointing.
DN 100 to DN 375

- Quality Assurance Management Systems to ISO 9001
- Product Certified to AS/NZS 2280
- Leak tight easily assembled TYTON Sockets
- 5 degree deflection capability per socket
- 6 degree body deflection
- Up to 16 degrees total deflection
- Lightweight Australian AUSLITE design
- 1600kPa allowable operating pressure – DN 100 to DN 150
- 3500kPa allowable operating pressure – DN 200 to DN 375
- Thermal bonded polymeric coating to AS 4158
- Suitable for use with PVC-O pipe



General application

Change in direction of pipeline.

Technical data

Size Range:

DN 100 to DN 375

Allowable Operating Pressure:

DN 100 to DN 150 :1600kPa

DN 200 to DN 375 : 3500kPa

Maximum Temperature:

50°C

End Connections:

TYTON Socket

Standards:

AS/NZS 2280 – Ductile iron pressure

Manufactured to:

ProductMark Licence

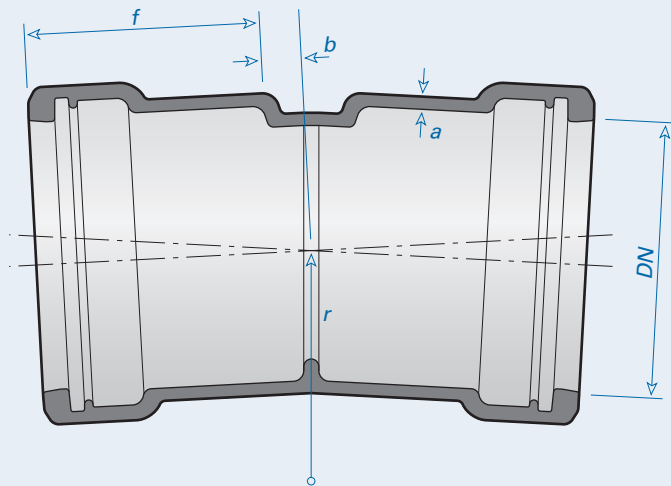
PRD/R61/0412/1

Certified to:

AS 4020 – Suitable for

contact with drinking water

6° Socketed Bend data



Nominal size	a	r	b	f	Mass	Allowable Operating Pressure
<i>DN</i>	<i>mm</i>	<i>mm</i>	<i>mm</i>	<i>mm</i>	<i>kg</i>	<i>kPa</i>
<i>100</i>	<i>6</i>	<i>75</i>	<i>20</i>	<i>110</i>	<i>6.0</i>	<i>1600</i>
<i>150</i>	<i>6</i>	<i>120</i>	<i>20</i>	<i>120</i>	<i>9.5</i>	<i>1600</i>
200	10	203	35	140	25	3500
225	10	229	45	145	30	3500
250	10	254	45	150	36	3500
300	11	305	50	160	50	3500
375	12	381	65	170	72	3500

AUSLITE fittings are indicated in blue italics.