

Vari-Gib non-restrained mechanical couplings are manufactured to AS/NZS 4998 and provide an effective method for connecting pipes with equal or unequal diameters
DN 40 – DN 1200

WANG Vari-Gib Couplings



- One coupling fits a wide range of pipe OD's (up to 24mm variation), significantly reducing stockholding requirements
- Specially designed wedge shaped Nitrile rubber gaskets are suitable for use with water, wastewater and gas mediums
- Compatible with most pipe types
- Vari-Gib couplings can be installed without the need to disassemble, significantly improving speed and ease of installation
- Fasteners have a captive head configuration to enable single spanner operation, facilitating ease of field assembly
- Fasteners are 316 stainless steel for long life operation. Galvanised mild steel is available in sizes up to DN 300

- Components are pre-lubricated during assembly to assist installation
- A three bolt design is used in sizes up to DN 150 for ease of installation
- An extended range of stepped couplings are now available

General applications

Vari-Gib couplings are ideal for joining two pipe ends together and are predominantly used in a maintenance situation where a burst or damaged pipeline is repaired by a cut-out and replacement method. Suitable for potable water, wastewater and gas applications.

Note: Vari-Gib Couplings are not recommended for use on polyethylene pipe.

Technical data

Size Range: DN 40 - DN 1200

Please contact Tyco Water for information on additional sizes not detailed in this brochure (most sizes to DN 1200 available)

Maximum Operating Pressure: 1600 kPa (up to and including DN 600).

Temperature Range: -10°C to 60°C

Approvals:
WSAA Appraisal No. 98/31
Approved for potable water use (AS 4020)

WANG Vari-Gib selection chart for pressure pipe

Recommended
Vari-Gib Coupling

Alternative
Vari-Gib Coupling

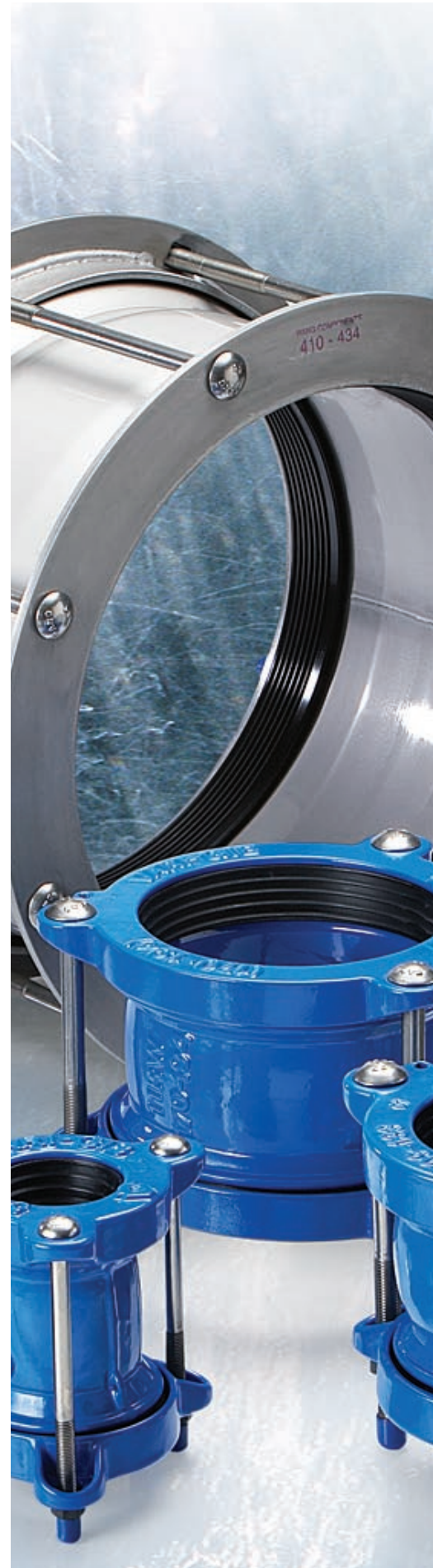
Nom. size DN	DICI AS/NZS 2280	Steel		PVC		ABS		Hobas AS 3571
		MSCL AS 1579	GW1 AS 1074	Series 1 AS/NZS 1477	Series 2 AS/NZS 4441	Series 1 AS 3518	Series 2 AS 3518	
40			KV0047DA? 48mm	KV0047DA? 48mm		KV0047DA? 48mm		
			KV0059DA? 60mm	KV0059DA? 60mm		KV0059DA? 60mm		
50			KV0072DA? 76mm	KV0072DA? 75mm		KV0072DA? 75mm		
			KV0088D?? 96mm	KV0088D?? 89mm		KV0088D?? 89mm		
80			KV0109A?? 122mm	KV0109A?? 114mm	KV0109A?? 114mm	KV0109A?? 122mm	KV0109A?? 114mm	KV0109A?? 122mm
			KV0123DA? 140mm	KV0123DA? 140mm	KV0123DA? 140mm		KV0123DA? 140mm	
100			KV0158A?? 177mm	KV0158A?? 168mm	KV0158A?? 168mm	KV0158A?? 177mm	KV0158A?? 177mm	KV0158A?? 177mm
150					KV0178A?? 200mm			
175								
200								
225								
250								
300								
350								
375								
400								
450								
500								
525								
600								

Note: Other sizes may be available on request

Pipe OD

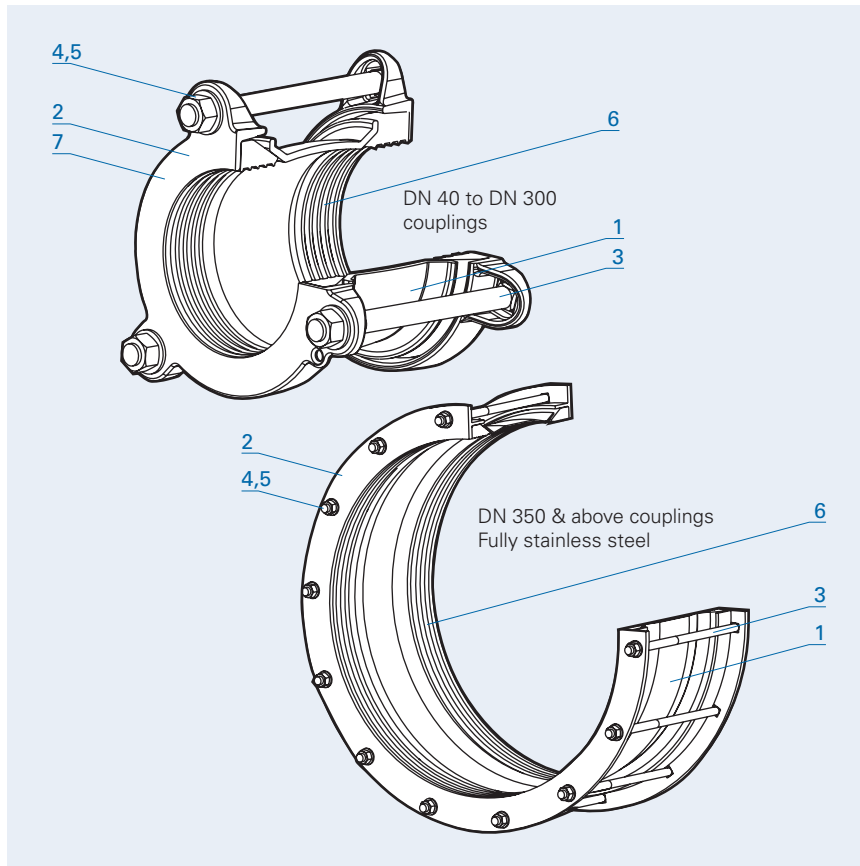
? Select missing option from coupling dimensions and material options tables on pages 6 and 7. See typical specifying sequence

Copper	CICL		Asbestos		RC
	B	C	AB	CD	
AS 1432	AS 1724	AS 2544	AS 1711	AS 1711	AS 4058
38mm					
KV0047DA?			KV0059DA?		
51mm			69mm		
KV0059DA?			KV0072DA?		
64mm			79mm		
KV0072DA?		KV0088D??	KV0088D??	KV0088D??	
76mm		96mm	96mm	96mm	
KV0088D??	KV0109A??	KV0109A??	KV0109A??	KV0109A??	
101mm	122mm	122mm	122mm	122mm	
KV0123DA?					
127mm					
N/A	KV0158A??	KV0158A??	KV0158A??	KV0158A??	
	KV0170DA?	KV0170DA?	KV0170DA?	KV0170DA?	KV0178DA?
152mm	177mm	177mm	177mm	177mm	197mm
N/A	KV0214A??	KV0214A??	KV0214A??	KV0214A??	
203mm	232mm	232mm	232mm	232mm	
KV0214A??	KV0240A??	KV0240A??	KV0240A??	KV0240A??	KV0272A??
229mm	259mm	259mm	259mm	259mm	279mm
	KV0272A??	KV0272A??	KV0272A??	KV0272A??	
	286mm	286mm	286mm	286mm	
	KV0330A??	KV0330A??	KV0330A??	KV0330A??	KV0346CDS
	334mm	345mm	334mm	345mm	362mm
	KV0410CDS	KV0410CDS	KV0410CDS	KV0410CDS	KV0444CDS
	413mm	426mm	413mm	426mm	445mm
	KV0488CDS	KV0498CDS	KV0488CDS	KV0498CDS	KV0522CDS
		KV0488CDS		KV0488CDS	
	492mm	507mm	492mm	507mm	533mm
	KV0530CDS	KV0542CDS			
		KV0552CDS			
	545mm	560mm			
			KV0560CDS	KV0574CDS	KV0600CDS
			KV0552CDS		
			572mm	587mm	616mm
	KV0648CDS	KV0655CDS	KV0648CDS	KV0658CDS	
	KV0630CDS	KV0648CDS	KV0630CDS	KV0648CDS	
	650mm	667mm	650mm	667mm	



WANG Vari-Gib Couplings parts list

No.	Description / Material / Standard
1	Barrel Ductile Iron / AS 1831 316 Stainless Steel / ASTM A240M
2	Flanges Ductile Iron / AS 1831 316 Stainless Steel / ASTM A276
3	Bolts 316 Stainless Steel / DIN 603 Mild Steel – Galvanised / DIN 603
4	Nuts 316 Stainless Steel / AS 1112.1 Mild Steel – Galvanised / DIN 603
5	Washers 316 Stainless Steel / ISO 887/ISO 7089 Mild Steel – Galvanised
6	Gasket Nitrile (NBR) Compound AS 1646 and AS/NZS 4020
7	Coating Fusion Coated / AS/NZS 4158

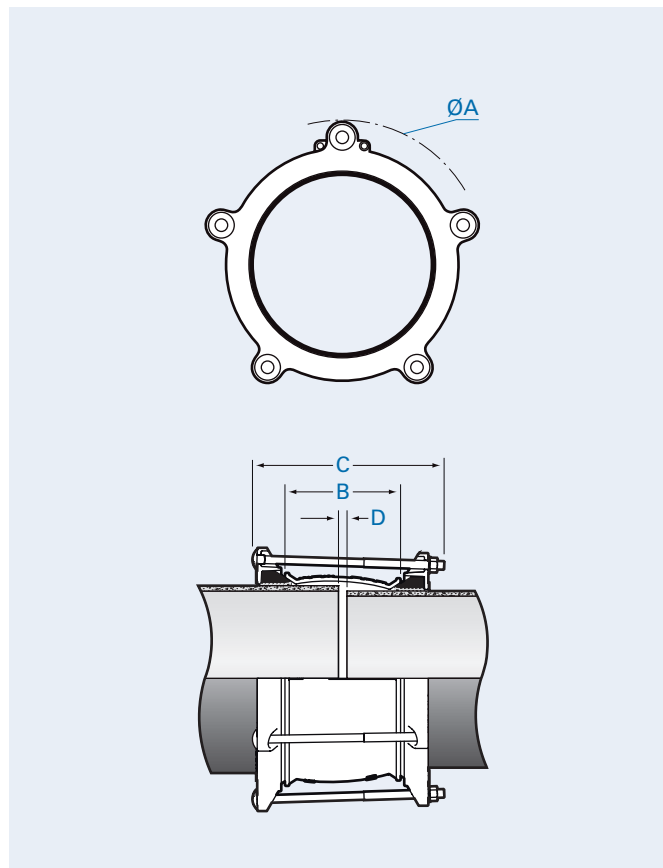


WANG Vari-Gib application options



WANG Vari-Gib STEPPED Coupling typical specifying sequence

Example	KV	S	0088	0109	D	C	S
KV = Vari-Gib		S = Stepped		0088 = OD indicator <i>Smaller end of the coupling</i>		0109 = OD indicator <i>Larger end of the coupling</i>	
D = DI fusion coated barrel and flanges							
C = Barrel length <i>Select length from the Dimensions Table below</i> C = 176 / D = 214							
S = Fastener material <i>Select from the Materials Table below</i> G = Galvanised / S = 316 stainless steel							



WANG Vari-Gib STEPPED Coupling dimensions

All dimensions in millimetres unless stated otherwise

Nominal size <i>DN</i>	Smaller end		Larger end		Bolt		Total angular deflection	Barrel length <i>B</i>	Bolt length <i>C</i>	Max pipe gap <i>D</i>	Min pipe gap <i>D</i>	Approx weight <i>kg</i>
	OD range	Flange OD <i>A</i>	OD range	Flange OD <i>A</i>	Qty	Size						
80 / 100	88-103	238	109-133	263	3	M16	6°	176	200	15	12	7.5
100 / 150	109-133	263	158-182	312	3	M16	6°	216	300	80	15	12
125 / 150	123-147	277	158-182	312	3	M16	6°	216	300	80	15	12.5
200 / 225	214-238	371	240-264	399	5	M16	6°	216	300	80	15	21
300 / 300	310-334	490	330-354	510	6	M16	6°	216	300	80	15	33

WANG Vari-Gib STEPPED Coupling material options

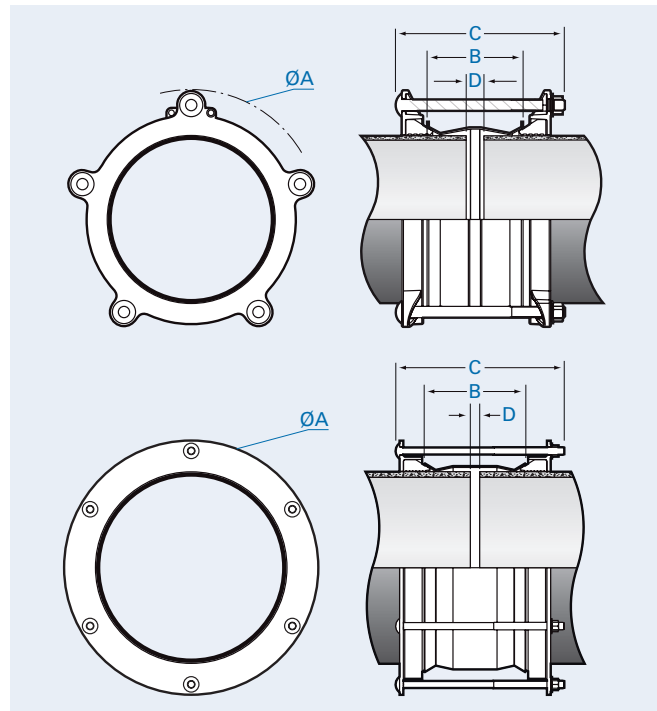
All dimensions in millimetres

Nominal size <i>DN</i>	Barrel	Flanges	Fasteners		Gasket
	Ductile Iron FC blue AS/NZS 4158	Ductile Iron FC blue AS/NZS 4158	316 stainless steel	Galv mild steel	Nitrile rubber
80 / 100	✓	✓	✓	✓	✓
100 / 150	✓	✓	✓	✓	✓
125 / 150	✓	✓	✓	✓	✓
200 / 225	✓	✓	✓	✓	✓
300 / 300	✓	✓	✓	✓	✓

WANG Vari-Gib STRAIGHT Coupling

typical specifying sequence

Example	KV	0109	A	A	S
KV = Vari-Gib					
0109 = OD range Select code from Vari-Gib Selection Chart on pages 2 and 3					
A = Material options Select from Material Options Table opposite A = 316 S/S Barrel with D I-Fusion Coated Flanges C = 316 S/S Barrel and Flanges D = DI Fusion Coated Barrel and Flanges					
A = Barrel length Select length from Dimensions Table below A = 110 / B = 136 / C = 176 / D = 216					
S = Fastener material Select from Material Options Table opposite G = Galvanised / S = 316 stainless steel					



WANG Vari-Gib STRAIGHT Coupling dimensions

All dimensions in millimetres unless stated otherwise

OD range		Flange OD A	Bolt		Total angular deflection	Barrel length B		Bolt length C		Max. pipe gap D		Min. pipe gap D		Approx. weight kg
Start	End		Qty	Size		Short	Long	Short	Long	Short	Long	Short	Long	
47	59	191	3	M12	6°	110		200		15		12		4
59	71	198	3	M12	6°	110		200		15		12		4.5
72	84	213	3	M12	6°	110		200		15		12		5
88	103	238	3	M16	6°	110	176	200	270	15	50	12	12	5.5
109	133	263	3	M16	6°	110	176	200	270	15	50	12	12	6.5
123	147	277	3	M16	6°	110		200		15		12		8
158	182	312	3	M16	6°	110	176	200	270	15	50	12	12	7.5
170	194	324	3	M16	6°	110		200		15		12		8.5
178	202	332	4	M16	6°	110		200		15		12		10
214	238	371	5	M16	6°	136	176	240	270	30	50	15	15	11
240	264	399	5	M16	6°	136	176	240	270	30	50	15	15	13
272	296	431	6	M16	6°		176		270		50		15	14
310	334	490	6	M16	6°		216		350		80		15	24
330	354	510	6	M16	6°		216		350		80		15	26
346	370	504	8	M16	6°		216		350		80		15	30
396	420	554	8	M16	5°		216		350		80		15	37
410	434	568	8	M16	5°		216		350		80		15	38
436	460	594	8	M16	4°		216		350		80		15	42
444	468	602	8	M16	4°		216		350		80		15	45
488	512	646	10	M16	4°		216		350		80		15	49.5
498	522	656	10	M16	4°		216		350		80		15	51
522	546	679	12	M16	4°		216		350		80		15	56
530	554	688	12	M16	4°		216		350		80		15	57
542	566	700	12	M16	4°		216		350		80		25	58
552	576	710	12	M16	4°		216		350		80		25	59
560	584	717	12	M16	4°		216		350		80		25	60
574	598	732	12	M16	4°		216		350		80		25	61
596	620	754	14	M16	4°		216		350		80		25	65
620	644	777	14	M16	3°		216		350		80		25	69
630	654	788	14	M16	3°		216		350		80		25	70
648	672	806	14	M16	3°		216		350		80		25	71.5
658	682	816	14	M16	3°		216		350		80		25	72

WANG Vari-Gib STRAIGHT Couplings

material options *All dimensions in millimetres*

OD range		Barrel		Flanges		Fasteners		Gasket
Start	End	Ductile Iron FC blue AS/NZS 4158	316 stainless steel	Ductile Iron FC blue AS/NZS 4158	316 stainless steel	316 stainless steel	Galv mild steel	Nitrile rubber
47	59	✓		✓		✓	✓	✓
59	71	✓		✓		✓	✓	✓
72	84	✓		✓		✓	✓	✓
88	103	✓		✓		✓	✓	✓
109	133		✓	✓		✓	✓	✓
123	147	✓		✓		✓	✓	✓
158	182		✓	✓		✓	✓	✓
170	194	✓		✓		✓	✓	✓
178	202	✓		✓		✓	✓	✓
214	238		✓	✓		✓	✓	✓
240	264		✓	✓		✓	✓	✓
272	296		✓	✓		✓	✓	✓
310	334		✓	✓		✓	✓	✓
330	354		✓	✓		✓	✓	✓
346	370		✓		✓	✓		✓
396	420		✓		✓	✓		✓
410	434		✓		✓	✓		✓
436	460		✓		✓	✓		✓
444	468		✓		✓	✓		✓
488	512		✓		✓	✓		✓
498	522		✓		✓	✓		✓
522	546		✓		✓	✓		✓
530	554		✓		✓	✓		✓
542	566		✓		✓	✓		✓
552	576		✓		✓	✓		✓
560	584		✓		✓	✓		✓
574	598		✓		✓	✓		✓
596	620		✓		✓	✓		✓
620	644		✓		✓	✓		✓
630	654		✓		✓	✓		✓
648	672		✓		✓	✓		✓
658	682		✓		✓	✓		✓

WANG Clamps and Couplings



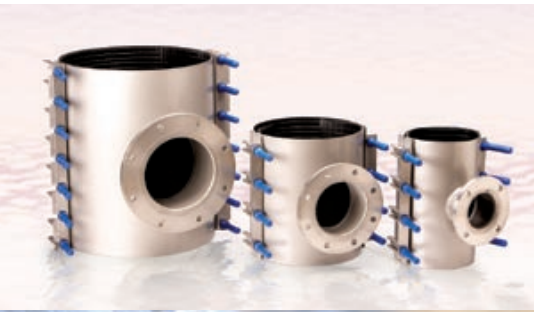
Tyco Water *Wang Components* is one of the leading manufacturers and suppliers of Grade 316 Stainless Steel Repair and Tapped Clamps as well as Couplings for reticulated water, sewerage and gas distribution mains including industrial piping systems.

As part of the Tyco Water business, *Wang Components* products have become synonymous with quality and reliability. Our product range is widely utilised and relied upon by Water Authorities and Councils throughout

Australia in the installation and maintenance of their supply mains and reticulation network.

Wang Components products can be sourced through the Tyco Water national sales and service network of customer centres.

Tyco Water is a specialist in integrated solutions for all your water and wastewater pipeline system requirements.



◀ Flanged Offtake Clamp

A cost effective means of achieving a 'T' connection or under pressure tapping. DN 100 - DN 900

KWIK Clamp ▶

A full circle repair clamp for small bore galvanised steel, copper and PVC pipe. DN 15 - DN 50



◀ Sewer OB Junction Clamp

A quick method of installing a new property service connection on a sewer main. DN 100 - DN 450

Repair Clamp ▶

A fast, permanent and economical repair solution for most pipe types and sizes. DN 50 - DN 1200



◀ Socket Joint Leak Clamp

Provides a permanent and economical seal over a leaking socket-spigot joint. DN 80 - DN 1200

Tapped Clamp ▶

A reliable means of tapping into old, unstable or damaged pipe. DN 50 - DN 1200



◀ Vari-Gib Coupling

Designed to provide a mechanical joint between similar or dissimilar pipes. DN 50 - DN 1200

Tapping Saddle – Rigid pipe ▶

Variable OD stainless steel saddle for tapping into rigid pipe. DN 40 - DN 450



◀ High Pressure Coupling

Provide a mechanical joint between similar or dissimilar pipes in high pressure environments. DN 150 - DN 2000

