

An economical means to end leaks at the socket-spigot joint or collars on ductile iron, cast iron and asbestos cement pipes. DN 80 – DN 1200.

WANG Socket Leak Clamps

- Available for DI, CI and AC pipes from DN 80 to DN 1200 (suit only DI pipe manufactured before 2003).
- Ductile iron construction.
- Nitrile interlock gasket supplied to fit pipe outside diameter.
- Can be installed on a pipe under working pressure.
- Eliminates the need to cut out an affected socket-spigot joint and replace with a section of pipe.
- The interlock gasket system eliminates the need for on-site cutting and glueing, stapling or taping of the gasket.
- Lightweight self locking segments allow for easy, one person installation.
- Available with galvanised steel or 316 stainless steel fasteners.



General applications

The socket leak clamp provides a fast and economical means of sealing or preventing leaks in the socket-spigot, or collared joints of asbestos cement, ductile iron or cast iron pipes. This fitting is very simple to install, and may replace the need for the costly and time-consuming cutting and replacement of an entire affected joint.

Note. Wang Socket Leak Clamps do not provide axial restraint.

How the socket leak clamp works

The socket leak clamp is assembled around the pipe socket or collar and the bell ring and the spigot ring are connected by bolts. The Interlock gasket (shown) is captured in a gasket cavity formed

by the spigot ring, the pipe surface and the pipe socket face. When tightening the bolts, the two rings are drawn together, in turn compacting the rubber gasket against the join of the socket face and the pipe spigot creating a water-tight seal.

Double Seal Type

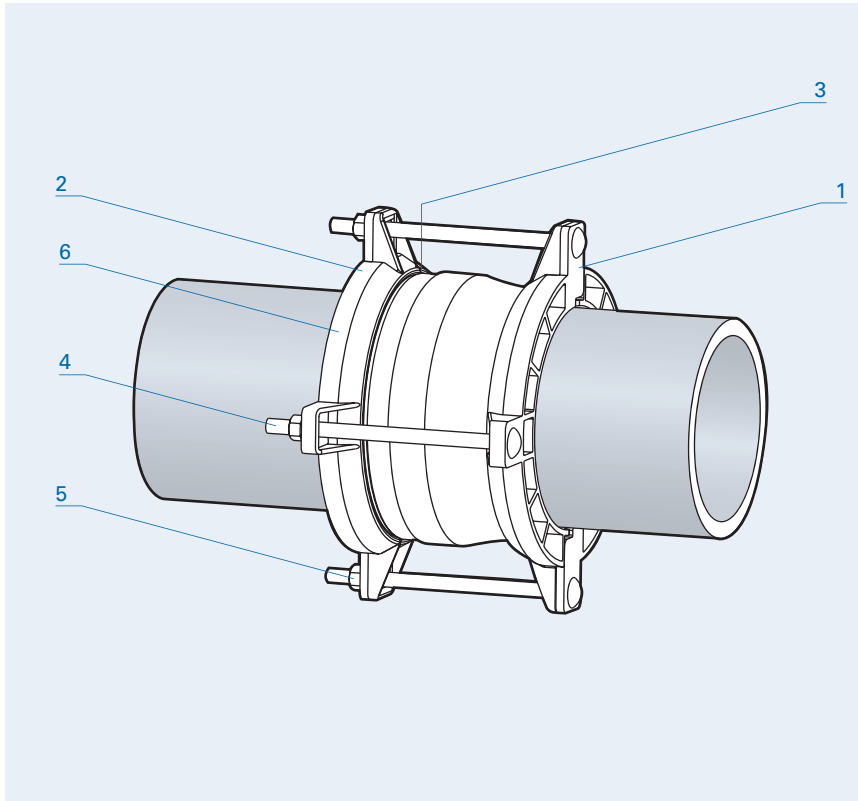
Where a socket leak clamp is being utilised to seal a double collar, a second Interlock gasket is required. In this case, the second rubber sits in the same cavity space, on the other side of the collar. When tensioning occurs, a seal occurs at both socket-spigot joints. All Socket Leak Clamps for double collars come with 500mm long all-thread bar.



WANG socket leak clamps parts list

No. Description / Material / Standard

1	Bell Ring Ductile Iron AS 1831
2	Spigot Ring Ductile Iron AS 1831
3	Interlock Gasket Nitrile (NBR) Compound AS 1646 and AS/NZS 4020
4	Bolts Mild Steel : Galvanised DIN 603
5	Nuts Mild Steel : Galvanised DIN 934
6	Coating Grey Oxide paint Commercial



Socket leak clamp selection chart

WANG code	Nom pipe size. DN	OD range	Clamp type	Total segments	Segments per ring	No. of brackets	No. of spacers	No. of bolts	Bolt size
KSC-080	80	96 - 100	Split Interlocking	4	2	—	—	4	M16 x 240
KSC-100	100	122 - 127	Split Interlocking	4	2	—	—	4	M16 x 240
KSC-150	150	175 - 180	Split Interlocking	4	2	—	—	4	M16 x 240
KSC-200	200	230 - 236	Split Interlocking	4	2	—	—	6	M16 x 240
KSC-225	225	256 - 262	Split Interlocking	4	2	—	—	6	M16 x 240
KSC-250	250	282 - 289	Split Interlocking	4	2	—	—	6	M16 x 240
KSC-320	300	320 - 326	Split Interlocking	4	2	—	—	6	M16 x 350
KSC-300	300	345 - 355	Split Interlocking	4	2	—	—	6	M16 x 300
KSC-350	350	380 - 390	Split Interlocking	4	2	—	—	8	M16 x 450
KSC-375	375	425 - 430	Split Interlocking	4	2	—	—	8	M16 x 350
KSC-457	400	450 - 460	Split Interlocking	6	3	—	—	9	M16 x 350
KSC-450	450	500 - 510	Segmented	8	4	8	4	12	M16 x 350
KSC-500	500	552 - 562	Segmented	8	4	8	4	12	M16 x 350
KSC-525	525	585 - 595	Segmented	8	4	8	4	12	M16 x 350
KSC-590	525	590 - 604	Split Interlocking	6	3	—	—	12	M16 x 450
KSC-616	600	616 - 630	Split Interlocking	6	3	—	—	12	M16 x 350
KSC-600	600	660 - 670	Segmented	8	4	8	4	12	M16 x 350
KSC-720	675	720 - 730	Segmented	8	4	8	4	12	M16 x 350
KSC-900	900	964 - 990	Segmented	12	6	12	6	18	M16 x 450
KSC-1200	1200	1290 - 1325	Segmented	16	8	16	18	24	M16 x 450

Note. Socket Joint Leak Clamps come as standard with galvanised steel bolts and one interlock gasket.
Please contact your Tyco Water Customer Centre for alternative bolt materials or where a double collar seal is required.

For additional product information visit:
www.tycowater.com.au/pipeline_components2



TWWW_SLC0903

© Copyright by Tyco International Ltd
Tyco Water reserves the right to change product designs and specifications without notice